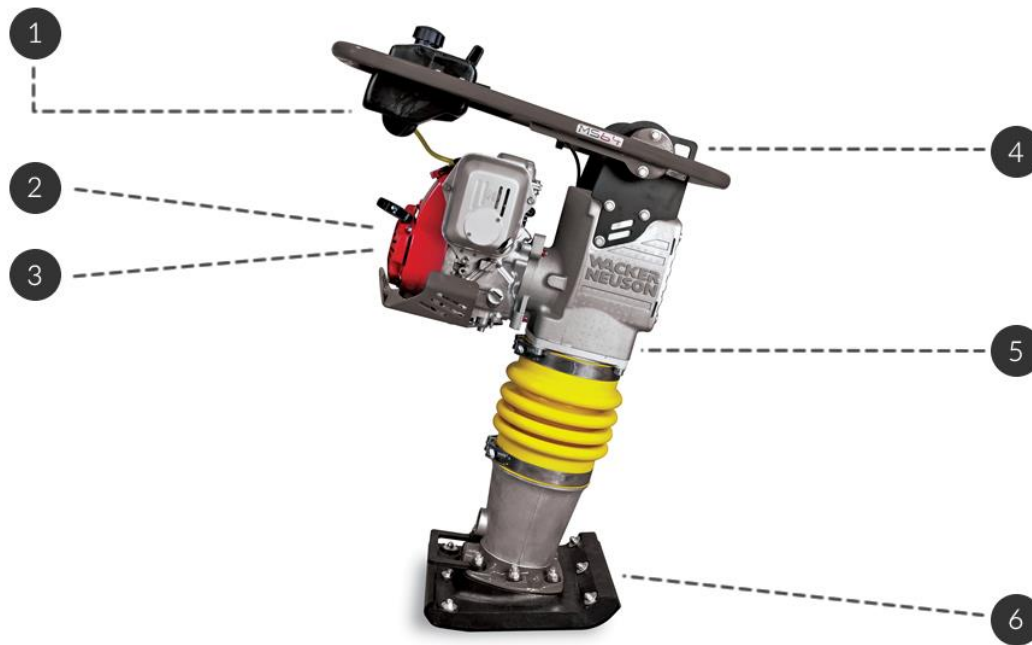


# Wacker Neuson MS64a - M-Series 4 Stroke Rammer

Wacker Neuson Rammers are known as the benchmark of Rammers in the construction industry. Available in 4 sizes, with 4 engine options, there simply is no better choice for a Rammer than a Wacker Neuson. The MS64a is powered by a Honda 4-stroke engine, which is well suited to Wacker Neuson Rammers. The MS64a is fitted standard with a 280mm shoe with optional 200mm shoes available.

M-Series is the entry level series of products from Wacker Neuson. The MS64A is manufactured in the USA on the same line as the popular BS and DS series of rammers, using many of the same components without the bells and whistles.



- 
- |                |  |
|----------------|--|
| 1. Ease of Use | <ul style="list-style-type: none"><li>• Easy to use throttle lever, fuel shut off and engine shut down switch.</li></ul> |
|----------------|--|
- 
- |                |   |
|----------------|---|
| 2. Maintenance | <ul style="list-style-type: none"><li>• Long air filter service life</li><li>• High impact plastic ramming shoe with reinforced steel plate - specifically designed for Wacker Neuson Rammers and for long life</li></ul> |
|----------------|---|
- 
- |                |  |
|----------------|--|
| 3. Reliability | <ul style="list-style-type: none"><li>• Wacker Neuson invented the Trench Rammer and has been making them for over 80 years.</li></ul> |
|----------------|--|
- 
- |           |  |
|-----------|--|
| 4. Safety | <ul style="list-style-type: none"><li>• Dual lifting points to lift rammer with a crane</li><li>• Lifting point attached directly to crank housing ensures no strain is put on handle or vibration dampeners</li></ul> |
|-----------|--|
- 
- |                |   |
|----------------|---|
| 5. Versatility | <ul style="list-style-type: none"><li>• Unique design ensures perfect blend of balance, impact and travel speed - vertical rammers lean forward for better travel speeds.</li><li>• Narrow design ensures Wacker Neuson rammers can be used in tight spaces</li></ul> |
|----------------|---|
- 
- |                |   |
|----------------|---|
| 6. Accessories | <ul style="list-style-type: none"><li>• Narrow shoe kits available.</li><li>• Wheel Kit available.</li><li>• Trolley available.</li></ul> |
|----------------|---|

<b>Operating weight</b>	71 kg
<b>Ramming shoe (W x L)</b>	280 x 342 mm
<b>L x W x H</b>	990 x 380 x 690 mm
<b>Percussion rate</b>	615 blows/min
<b>Stroke at the ramming shoe</b>	46 mm
<b>Operating speed</b>	7.8 m/min
Engine:	
<b>Manufacturer</b>	Honda
<b>Model</b>	GX 100
<b>Construction</b>	Air-cooled single-cylinder four-cycle gasoline engine
<b>Displacement</b>	98 cm <sup>3</sup>
<b>Engine speed</b>	4,400 rpm
<b>Engine output according to ISO</b>	2.4 kW
<b>Fuel consumption</b>	0.9 L/h
<b>Tank capacity</b>	3.0 L
Specifications subject to change without notice due to continual product development	
<b>SKU</b>	5200014899
<b>Shipping Weight</b>	71.0000kg
<b>Shipping Width</b>	0.380m
<b>Shipping Height</b>	0.990m
<b>Shipping Length</b>	0.690m